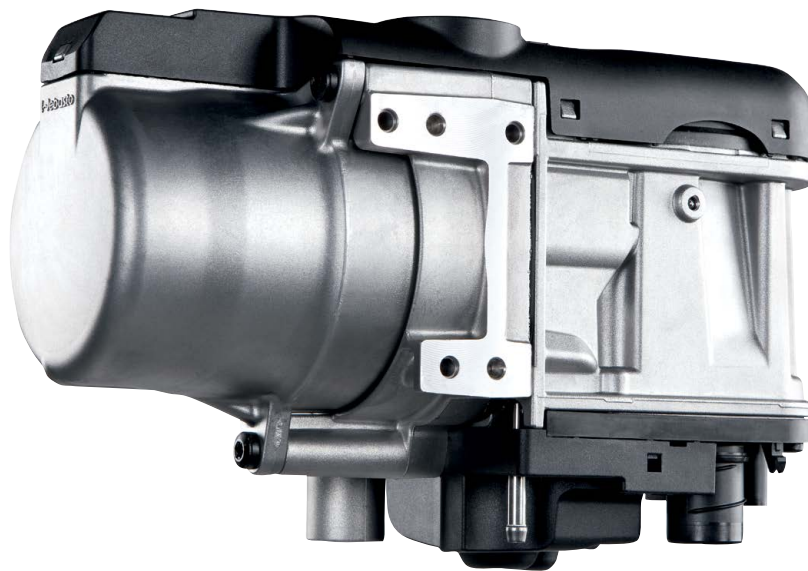


Thermo Top Evo

Quick and reliable starting in winter



The new Thermo Top Evo parking heater generation has been developed especially for new vehicles and those with restricted installation space. This means that the vehicle is ready to start quickly and reliably. Icy windows can be defrosted within a very short time and the cabin heats up very quickly.

There is a choice of three heating capacities, depending on the size of the vehicle. Thanks to its innovative control system, the Thermo Top Evo 5+ can be used to heat up very large interiors.

- Extremely small and a great space saver
- Weighing 2.1 kg, this is the lightest heater in its class
- Efficient and stable heating capacity
- Low fuel consumption and minimal emissions in operation
- Available in various heating capacity options
- Vehicle-specific installation kits for the most common models
- Available for retrofit and as original equipment



Cars



Light-duty Vehicles



Off-highway



Special Vehicles

Technical data

	Thermo Top Evo 4		Thermo Top Evo 5		Thermo Top Evo 5+*	
	Diesel	Gasoline	Diesel	Gasoline	Diesel	Gasoline
ECE approval number ECE R122 (heating)	E1 00 0258		E1 00 0258		E1 00 0258	
ECE approval number ECE R10 (EMC)	E1 04 5627		E1 04 5627		E1 04 5627	
Heating capacity, part load/full load (kW)	2.5 / 4.0	2.8 / 4.0	2.5 / 5.0	2.8 / 5.0	2.5 / 5.0	2.8 / 5.0
Fuel consumption, part load/full load (l/h)	0.31 / 0.49	0.39 / 0.56	0.31 / 0.62	0.39 / 0.70	0.31 / 0.62	0.39 / 0.70
Nominal voltage (V)	12		12		12	
Rated power consumption without coolant pump, part load/full load (W)	12 / 21	15 / 21	12 / 32	15 / 32	12 / 32	15 / 32
Fuels	Diesel EN 590	Gasoline EN 228	Diesel EN 590	Gasoline EN 228	Diesel EN 590	Gasoline EN 228
Operating temperature range (°C)	-40 to +80	-40 to +60	-40 to +80	-40 to +60	-40 to +80	-40 to +60
Dimensions L x W x H (mm)	218 x 91 x 147		218 x 91 x 147		218 x 91 x 147	
Weight (kg)	2.1		2.1		2.1	
	Coolant pump U4847 Econ					
Volume flow against 0.14 bar (l/h)	500					
Dimensions L x W x H (mm)	96 x 75 x 80					
Weight (kg)	0.3					

*The Thermo Top Evo 5+ unit has an innovative system for controlling the coolant circuit.

Scope of delivery

- Heater, coolant pump, fuel pump, heater cable harness

Installation kit

- Exhaust muffler, air intake muffler, coolant hose, coolant connection piece, fuel hose, flexible aluminum combustion air pipe, flexible stainless steel exhaust pipe, heater mount, exhaust end fixing

Control elements

- Digital timer 1533
Heating time up to 1 hour, 3 preselectable on-times per day, limited availability due to end of production
- Hand-held transmitter T91 Incl. battery
- Hand-held transmitter T100 HTM Incl. battery
- MultiControl Car
Menu-driven user interface, immediate start button, 7-day timer, operation indicator, integrated temperature sensor, individual configuration possible

